

LUMATECH

Linear Lighting Solutions



Profile Series

Direct Suspended
Direct Surface
Direct Wall
Direct-Indirect Suspended
Direct-Indirect Wall
Recessed

5
YEAR
WARRANTY

Proudly
NZ MADE
from local &
imported
components

MODERN, SOPHISTICATED LIGHTING DESIGN

Designed and Manufactured in New Zealand from quality components, the new Lumatech profile family draws on decades of local knowledge. With thick walled profiles, wire lock tool-less suspension adjusters and simple installation on walls and in ceilings.

Diffusers are cast flat sheet which won't bow and come in white Opal, Microprismatic and a rainbow of colours if required. Standardly equipped with a CRI90+ LED system in 3000K & 4000K with a CRI80+ 4000K ultra high output upon request.

A thick extruded aluminium geartray provides very high thermal management of the driver and LEDs to maximise life of both components.

Direct profiles that can be mounted directly to ceilings and walls or suspended, Direct/Indirect

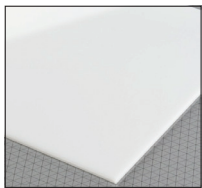
profiles for either wall or suspended and the recessed direct profiles for plaster and t-rail systems.

The suppliers selected have a focus on maximising local content, for imported products leading suppliers have been selected for reliability and ease of use. All assembly is completed in Auckland by our team that have been working with profiles for 12 years.

QUALITY COMPONENTS

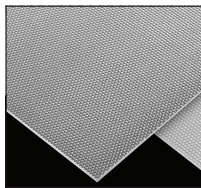
- LED boards and drivers from Tridonic sourced locally.
- Suspension systems from Italy sourced locally.
- Aluminium profiles and metal work sourced locally.
- Micro prismatic diffusers from Australia.
- Opal diffuser sourced locally.

DIFFUSERS & LENS



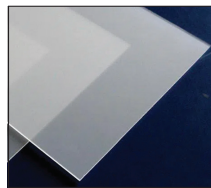
Lucent® Opal Diffuser

- High Transmission
- Homogeneous
- No pixelation
- Maintains High CRI
- High vertical illuminance



Microprismatic Diffuser

- High Transmission
- Opalescent Appearance
- No pixelation
- Low UGR Design
- Soft Edge Beam for Uniformity



Frosted

- 92% Transmission
- Homogeneous
- Maintains High CRI
- High Vertical illuminance



Indirect Symmetric

- 95% Transmission
- Batwing Distribution
- Smooth Wide Wash
- Protection from HV LED Output Options



Geartray Lens

- 97% Transmission
- 90deg Distribution
- Focus Output on Diffuser
- Protection from HV LED Output Options
- Can Be Used Standalone

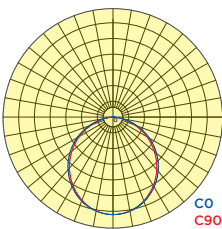


Indirect Asymmetric

- 95% Transmission
- Single Asymmetric
- Suitable For Wall Lighting
- Protection from HV LED
- Can Be Used Standalone

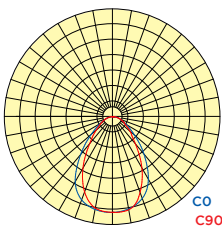
DISTRIBUTION

LT60D Opal



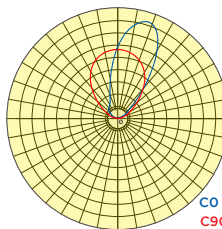
C0
C90

LT60D Prismatic



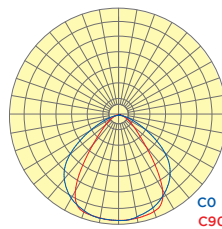
C0
C90

LT60H Asymmetric Uplight



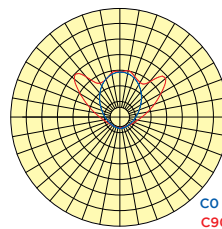
C0
C90

LT60D Frosted



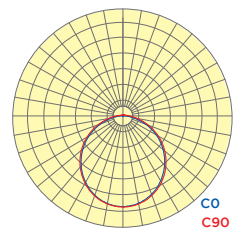
C0
C90

LT60H & LT100H Batwing



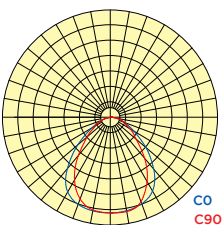
C0
C90

LT100D Opal



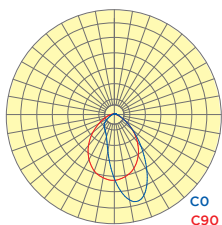
C0
C90

LT100D Prismatic



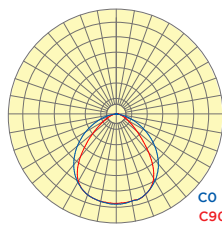
C0
C90

LT60D & LT100D Asymmetric



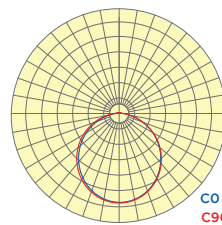
C0
C90

LT100D Frosted



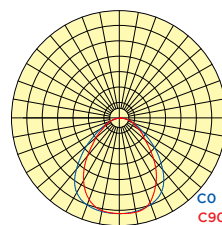
C0
C90

LT200H Opal



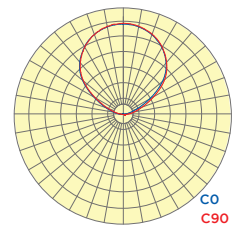
C0
C90

LT200H Prismatic



C0
C90

LT200H Indirect



C0
C90

LUMINAIRE LENGTHS

Luminaires are constructed by using combinations of geartray lengths and board lengths. Luminaire lengths with unlit areas are fabricated to the nearest 70mm. Specific lengths in between 70mm increments are achieved using blanking plates.

PROFILE LT60D



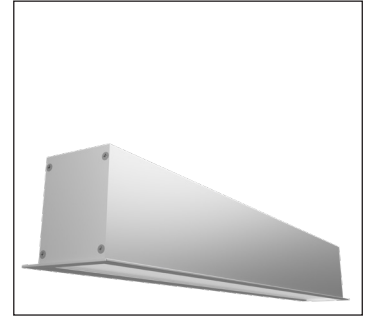
Direct
60 x 82

PROFILE LT60H



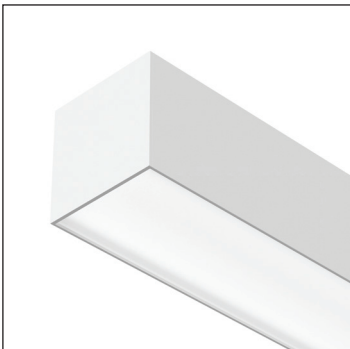
Direct/Indirect
60 x 99

PROFILE LT60R



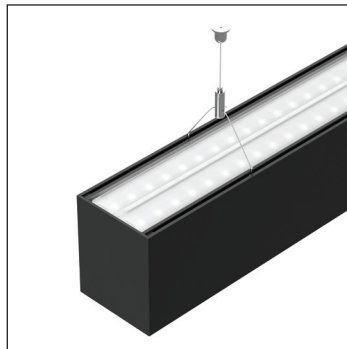
Recessed
76 x 82

PROFILE LT100D



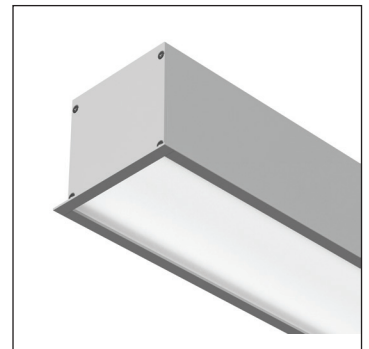
Direct
100 x 100

PROFILE LT100H



Direct/Indirect
100 x 120

PROFILE LT100R



Recessed
116 x 100

PROFILE LT200D



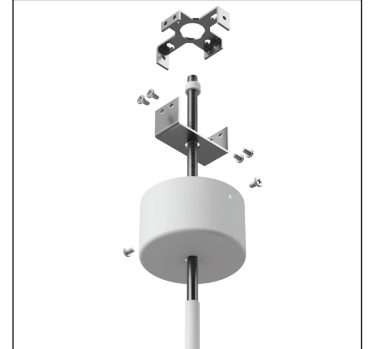
Direct
200 x 50

PROFILE LT200H



Direct/Indirect
200 x 50

ROD SUSPENSION



Ceiling Rose 78 x 46
Rod lengths 1m or 2m Standard

OUTPUT PARAMETERS

CRI90 p/m 4000K		150mA		200mA		250mA		300mA		350mA		400mA	
		Lm	W	Lm	W	Lm	W	Lm	W	Lm	W	Lm	W
LT60 Medium	Opal	1345	12.6	1929	16.5	2154	20.7	2523	25.2	2927	29.8	3356	34.0
	Microprism	1246		1621		1996		2337		2712		3109	
	Open	1720		2238		2756		3228		3745		4293	
	Asymmetric	1493		1943		2392		2802		3250		3726	
LT60H	Opal	1345	18.0	1929	23.5	2154	29.5	2523	36.0	2927	42.5	3356	48.5
	Microprism	1246		1621		1996		2337		2712		3109	
	Indirect	805		1047		1290		1511		1753		2009	
LT100 2x Low	Opal	1412	12.6	2025	16.5	2262	20.7	2649	25.2	3073	28.8	3524	34.0
	Microprism	1308		1702		2096		2454		2848		3264	
LT100 2xMed	Opal	2147	18.9	3079	24.8	3438	31.1	4027	37.8	4671	44.7	5356	51.0
	Microprism	1989		2587		3186		3730		4328		4962	
LT100 2xHigh	Opal	3263	28.4	4680	37.1	5225	46.6	6121	56.7	7101	67.1	N/A	
	Microprism	3023		3932		4842		5669		6579			
LT100H 2xLow Dn 1xLow Up	Opal	1412	18.0	2025	23.5	2262	29.5	2649	36.9	3073	42.5	3524	48.5
	Microprism	1308		1702		2096		2454		2848		3264	
	Indirect	805		1047		1290		1511		1753		2009	
LT200H 2xLow Dn 1xLow Up	Opal	1412	18.0	2025	23.5	2262	29.5	2649	36.0	3073	42.5	3524	48.5
	Microprism	1308		1702		2096		2454		2848		3264	
	Indirect	805		1047		1290		1511		1753		2009	
LT200H 2xMed Dn 1xLow Up	Opal	2147	23.9	3079	31.3	3438	39.2	4027	47.9	4671	56.5	5356	64.5
	Microprism	1989		2587		3186		3730		4328		4962	
	Indirect	805		1047		1290		1511		1753		2009	
LT200H 2xMed Dn 1xMed Up	Opal	2147	27.0	3079	35.3	3438	44.4	4027	54.0	4671	63.8	5356	72.8
	Microprism	1989		2587		3186		3730		4328		4962	
	Indirect	1224		1593		1961		2297		2665		3054	

ACCESSORIES & OPTIONS

- Suspensions 3m & 5m
- Recess plaster bracket
- Wall mount bracket
- "T"rail mounting bracket (recessed only)
- Screwless endcaps
- Round ceiling rose
- Square ceiling rose
- Corners to any angle (vertical & horizontal)
- Asymmetric indirect option for wall mounted luminaires
- PIR sensors and/or emergency lighting
- Dimming ...DALI, DSI, Switch dim
- Welded corners
- Custom shapes

POWDER COAT COLOURS

- **Standard Colours:**
Dulux Protecture White (20T1274F)
Dulux Protecture Black (20T9215F)
Dulux Protecture Silver Pearl (21T7852F)
- Custom powder coat colours on request

LUMATECH

Linear Lighting Solutions



LUMATECH LTD

5/152 Lansford Cres, Avondale,
Auckland, New Zealand.

Ph: +64-9-2813732

Email: sales@lumatech.co.nz

www.lumatech.co.nz