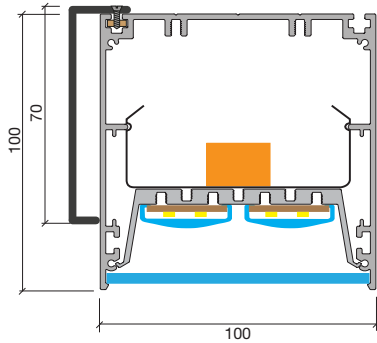
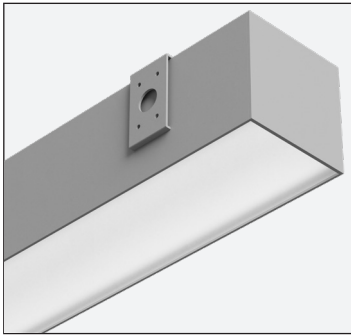


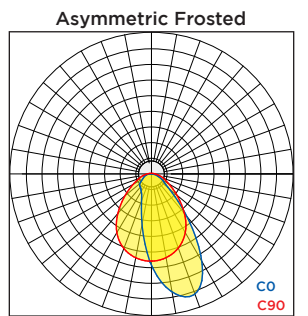
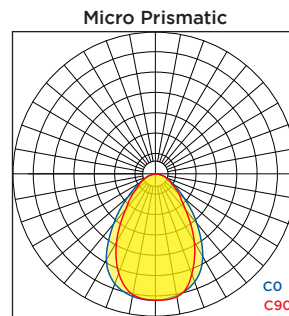
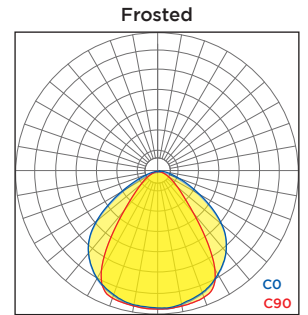
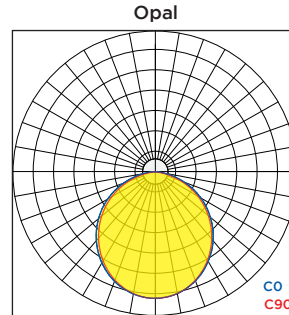
# LUMATECH

## Linear Lighting Solutions

### LT100D Wall Bracket Mount-Direct



#### DISTRIBUTION



#### FEATURES

- Designed with the installer in mind for a fast & cost effective install.
- A substantial gear tray provides excellent thermal management ensuring long component life and high lumen maintenance.
- Choice of screwed or screwless endcaps.
- High efficacy up to 125Lm/W.
- Plug & play joining of long runs over 5m.
- Tridonic LED boards & drivers (3K & 4K as standard) with 2.7K, 5K, 6.5K, Tuneable White 27-65K options & Sunlike full spectrum.
- Colour consistency 3 MacAdams.
- L90 @ 50,000hrs B10 & CRI 90 as standard.
- Certified IES files.
- Designed & manufactured locally.
- Where possible components are sourced locally.
- The 6060 grade aluminium used in the production of these profiles is smelted and extruded in New Zealand.
- The CO2 emitted per Kg of aluminium produced is one of the lowest in the world.

#### CONTROL - DIM - EMERGENCY

Bluetooth



Wireless



Proximity



Emergency



DALI Dimming



DSI Dimming



Switch Dim



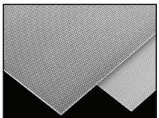
Corridor Function



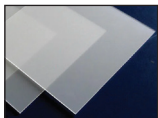
CASAMBI

#### DIFFUSERS

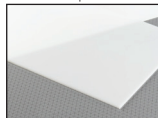
Micro Prismatic



Frosted



Opal



90Deg



- High Transmission
- Opalescent Appearance
- No pixellation
- Low UGR
- Soft Edge Beam for Uniformity

- 92% Transmission
- Homogeneous
- Maintains High CRI

- High Transmission
- Homogeneous
- No pixellation
- Maintains High CRI
- High Vertical Illuminance

- Geartray Lens
- 97% Transmission
- 90deg Distribution
- Focuses Output On Diffuser
- Can Be Used Stand Alone

Asymmetric



- Geartray Lens
- 95% Transmission
- 45deg Distribution
- Centered 20Deg off vertical

#### COLOURS

Powder Coat Colours

- Dulux Protecture White (20T1274F)
- Dulux Protecture Black (20T9215F)
- Dulux Protecture Silver Pearl (Light Grey) (21T7852F)
- Custom colours to order

Cast sheet is chosen for diffusers due its greater dimensional stability. Linear lens are PMMA from Tridonic and provide touch protection for non SELV applications.

**5**  
YEAR

Lumatech Limited, 35 Timothy Place, Avondale, Auckland, New Zealand.

Ph: 09-2813732 Email: sales@lumatech.co.nz www.lumatech.co.nz

# LUMATECH

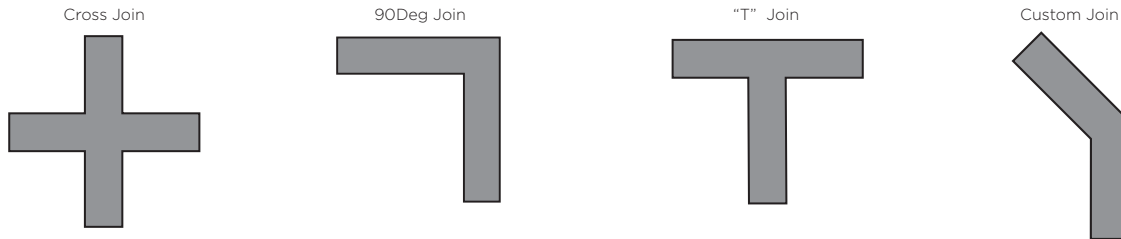
## Linear Lighting Solutions

### LUMEN/M

CRI90 p/m 4000K		150mA		200mA		250mA		300mA		350mA		400mA		Rows Direct Boards	
		Lm	W	Lm	W	Lm	W	Lm	W	Lm	W	Lm	W		
LT100D Low Output	Opal	Direct	1218	12.5	1624	16.7	2030	20.9	2436	25.0	2842	29.2	3247	33.4	2 x Low Output
	Micro Prismatic		1350		1800		2250		2700		3150		3600		
	Frosted		1498		1997		2497		2996		3496		3995		
	Asymmetric Frosted		765	6.3	1020	8.3	1275	10.4	1530	12.5	1789	14.6	2041	16.7	1 x Low Output
LT100D Medium Output	Opal	Direct	2436	24.1	3247	32.1	4059	40.1	4871	48.2	5683	56.2	6495	64.2	2 x Medium Output
	Micro Prismatic		2700		3600		4500		5400		6300		7200		
	Frosted		2996		3995		4994		5992		6991		7990		
	Asymmetric Frosted		1530	12.5	2041	16.7	2551	20.9	3061	25.0	3571	29.2	4081	33.4	1 x Medium Output
LT100D High Output	Opal	Direct	3702	36.1	4936	48.2	6170	60.2	7404	72.3	8638	84.3	N/A	2 x High Output	
	Micro Prismatic		4104		5472		6840		8208		9576				
	Frosted		4554		6072		7590		9108		10626				
	Asymmetric Frosted		2326	18.8	3102	25.0	3877	31.3	4653	37.5	5428	43.8		1 x High Output	
Lumen output for other boards multiply lumens by		CRI90 3000K 0.96				CRI80 4000K 1.18				CRI80 3000K 1.13					
IES Files are standard for 1m. Specific length IES files are available on request. Example 4.7m.															

### JOINS & CORNERS

Profile corners and joins are welded providing a seamless transitions and no light leakage.  
 Custom angled joins on request.  
 Joins can be horizontal or vertical.



### LENGTH CALCULATION

Luminaires are constructed by using combinations of geartray sizes starting at 565mm and up to 1685mm moving up in 70mm increments. This will give a fully illuminated diffuser from end to end and joins in the profile will be positioned by Lumatech to keep uniform lengths. High output and certain other specialist boards are only available in 280mm increments, please check with us if length is crucial. If a specific length is required in between LED board increments available, these are achieved using blanking plates. Endcap assemblies require a total of 15mm allowance, for recessed luminaires this becomes the cut-out dimension.

### ACCESSORIES & OPTIONS

Screwed endcaps for budget applications.  
 Screwless endcaps for a seamless look.  
 Channel mount or bracket mount.