

# LUMATECH

Linear Lighting Solutions

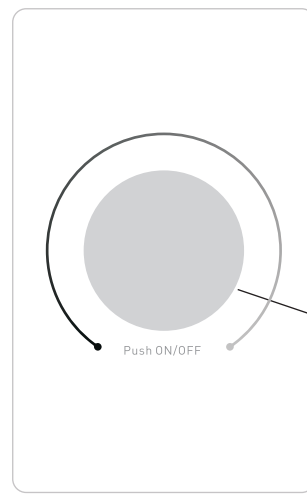
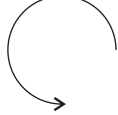
## LCDMSR-2400

DALI MCU Digital Rotary Dimmer

### FUNCTION INTRODUCTION



Rotate the knob counterclockwise to decrease light intensity from 100% to 1%.

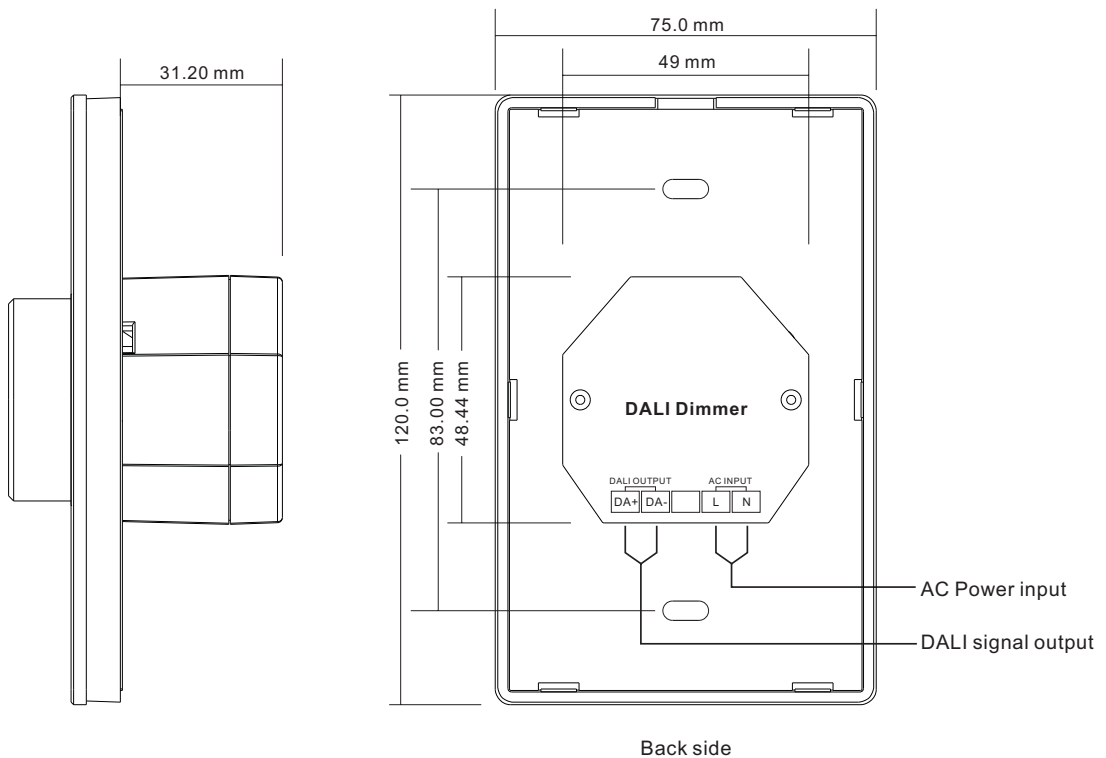


Rotate the knob clockwise to increase light intensity from 1% to 100%



Click the rotary knob to switch ON/OFF light

Front side



## PRODUCT DATA

|                           |  |
|---------------------------|--|
| Designation               | DALI MCU   |
| Power connection          | L, N AC mains  |
| Operating voaltage        | 100-240V AC  |
| Power consumption         | 2.3W max.  |
| DALI connection           | Da+/Da-, max. 300m cable length, DALI power supply output current max 100mA. |
| Perm. Cable cross-section | 0.5...1.5 mm <sup>2</sup>  |
| Ambient temperature       | 0...+50 °C   |
| Type of protection        | IP 20  |
| Protection class          | II   |
| Dimensions                | 75x120x53mm  |

- Each control circuit can supply DALI power for as many as 50 DALI devices
- Comfortable, easy and complete control over the lighting levels at any time.
- Innovative Function to Power DALI Bus While Connected to AC Mains
- Powered by DALI Bus while not Connected to AC Mains

## SAFETY & WARNINGS

- DO NOT install with power applied to device.
- DO NOT expose the device to moisture.

## OPERATION

This device is a DALI MCU with built-in DALI bus power supply which can power DALI bus while connected with 100-240VAC mains. It also can be powered by DALI bus while not connected with AC mains.

There can be only 1 MCUs connected.

Switch ON/OFF

Click the rotary knob to switch ON/OFF light.

Increase/Decrease Light Intensity

Rotate the knob clockwise to increase light intensity from 1% to 100%, rotate the knob counterclockwise to decrease light intensity from 100% to 1%.

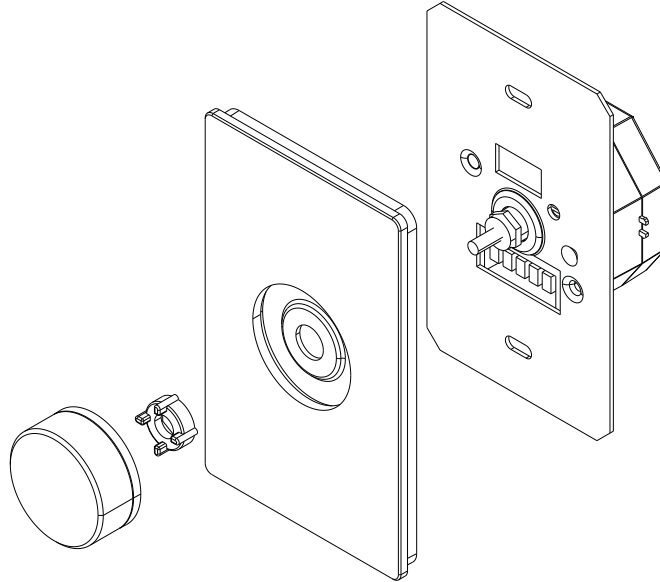
Set the minimum brightness value

Press and hold down the knob over 5 seconds until the light flashes, to set the current brightness value as the minimum brightness value for dimming, it is dimmable from this minimum brightness value to 100%.

Delete the minimum brightness value setting

Click the knob to switch off the light first, then press and hold down the knob over 5 seconds until the light flashes, the minimum brightness value will be deleted. It is dimmable from 1% to 100% then.

## INSTALLATION



## WIRING DIAGRAM

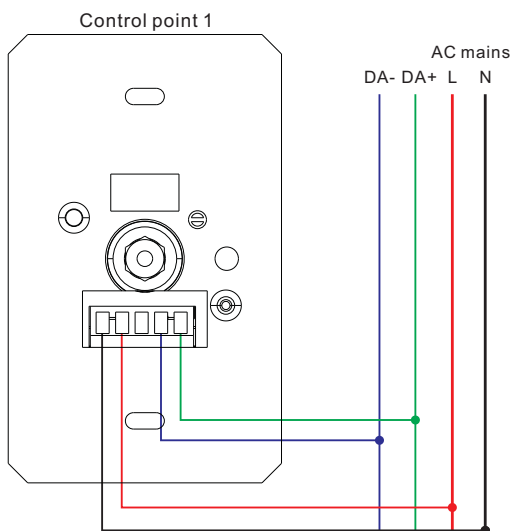


Figure 2: Wiring scheme to control up to 50 DALI ECG