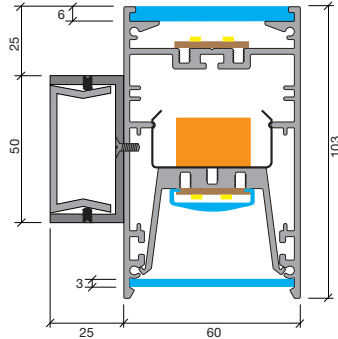
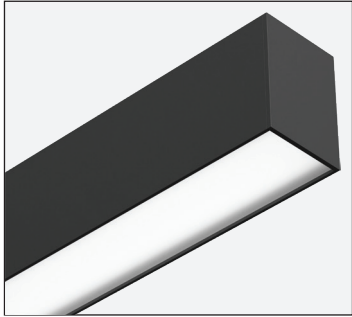


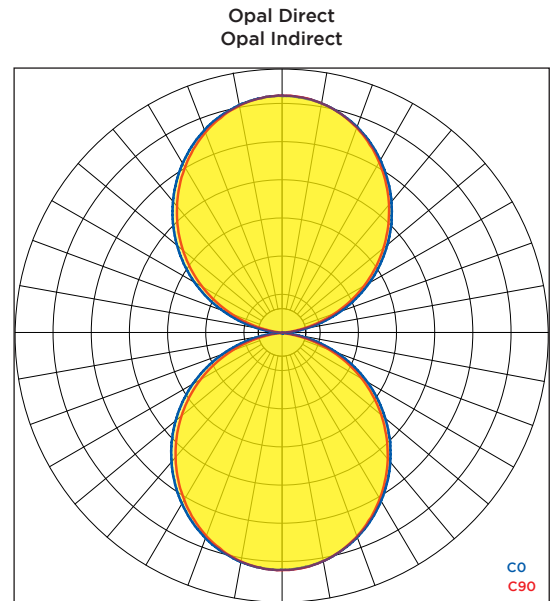
# LUMATECH

## Linear Lighting Solutions

### LT60H Wall Channel Mount Hospital Light-Opal Direct & Indirect



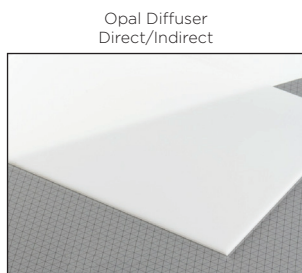
#### DISTRIBUTION



#### FEATURES

- Designed with the installer in mind for a fast & cost effective install.
- A substantial gear tray provides excellent thermal management ensuring long component life and high lumen maintenance.
- Choice of screwed or screwless endcaps.
- High efficacy up to 125Lm/W.
- Plug & play joining of long runs over 5m.
- Tridonic LED boards & drivers (3K & 4K as standard) with 2.7K, 5K, 6.5K, Tuneable White 27-65K options & Sunlike full spectrum.
- Colour consistency 3 MacAdams.
- L90 @ 50,000hrs B10 & CRI 90 as standard.
- Certified IES files.
- Designed & manufactured locally.
- Where possible components are sourced locally.
- The 6060 grade aluminium used in the production of these profiles is smelted and extruded in New Zealand. The CO<sub>2</sub> emitted per Kg of aluminium produced is one of the lowest in the world.
- Direct/indirect commonly switched has a 50/50 lumen split as standard.

#### DIFFUSERS



- High Transmission
- Homogeneous
- No pixellation
- Maintains High CRI
- High Vertical Illuminance

Cast sheet is chosen for diffusers due its greater dimensional stability. Linear lens are PMMA from Tridonic and provide touch protection for non SELV applications.

#### CONTROL - DIM - EMERGENCY

Bluetooth 	Wireless 	Proximity 	Emergency 
DALI Dimming 	DSI Dimming 	Switch Dim 	Corridor Function 

**CASAMBI**

#### COLOURS

- Powder Coat Colours
- Dulux Protecture White (20T1274F)
  - Dulux Protecture Black (20T9215F)
  - Dulux Protecture Silver Pearl (Light Grey) (21T7852F)
  - Custom colours to order



Lumatech Limited, 35 Timothy Place, Avondale,  
Auckland, New Zealand.

Ph: 09-2813732 Email: sales@lumatech.co.nz www.lumatech.co.nz

# LUMATECH

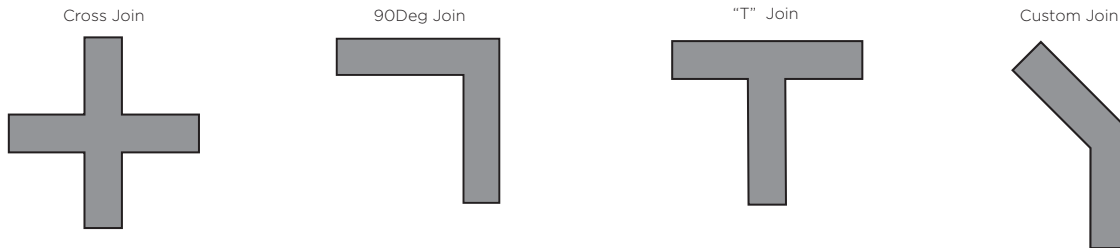
## Linear Lighting Solutions

### LUMEN/M

CRI90 p/m 4000K			150mA		200mA		250mA		300mA		350mA		400mA		Rows Direct Boards	Rows Indirect Boards
			Lm	W	Lm	W	Lm	W	Lm	W	Lm	W	Lm	W		
LT60H Low Output	Opal	Direct	639	6.3	852	8.3	1065	10.4	1278	12.5	1491	14.6	1703	16.7	1 x Rows Low Output	1 x Rows Low Output
	Opal	Indirect	639	6.3	852	8.3	1065	10.4	1278	12.5	1491	14.6	1703	16.7		
LT60H Medium Output	Opal	Direct	1278	12.5	1703	16.7	2129	20.9	2555	25.0	2981	29.2	3407	33.4	1 x Rows Medium Output	1 x Rows Medium Output
	Opal	Indirect	1278	12.5	1703	16.7	2129	20.9	2555	25.0	2981	29.2	3407	33.4		
Optional Night Light	Clear	Direct	75Lumen 12V 1.4Watt 3000K													N/A
Lumen output for other boards multiply lumens by			CRI90 3000K 0.96				CRI80 4000K 1.18				CRI80 3000K 1.13					
IES Files are standard for 1m. Specific length IES files are available on request. Example 4.7m.																

### JOINS & CORNERS

Profile corners and joins are welded providing a seamless transitions and no light leakage.  
 Custom angled joins on request.  
 Joins can be horizontal or vertical



### LENGTH CALCULATION

Luminaires are constructed by using combinations of geartray sizes starting at 565mm and up to 1685mm moving up in 70mm increments. This will give a fully illuminated diffuser from end to end and joins in the profile will be positioned by Lumatech to keep uniform lengths. High output and certain other specialist boards are only available in 280mm increments, please check with us if length is crucial. If a specific length is required in between LED board increments available, these are achieved using blanking plates. Endcap assemblies require a total of 15mm allowance, for recessed luminaires this becomes the cut-out dimension

### ACCESSORIES & OPTIONS

- Screwless endcaps are **not available for this light (screwed only)**.
- Wall mount brackets
- Optional 1.4Watt night light.