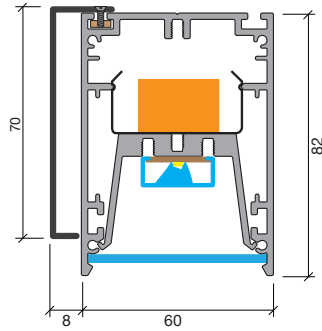
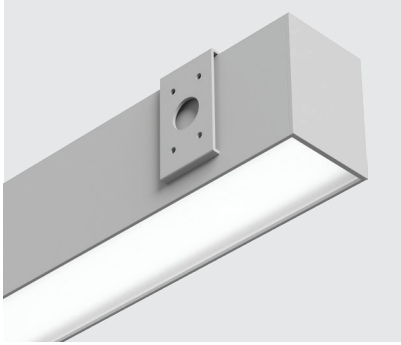


LUMATECH

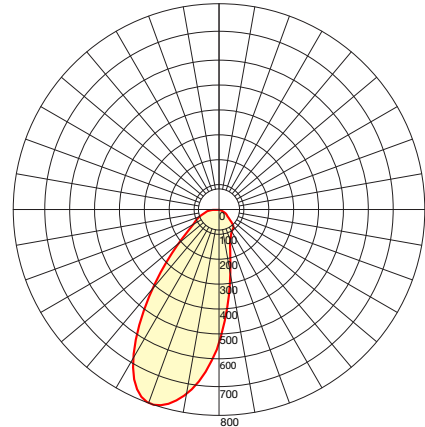
Linear Lighting Solutions

LT60D Direct Asymmetric Wall Bracket Mount



DISTRIBUTION

Direct Single Asymmetric
Frosted Diffuser 350mA 4K



FEATURES

- Designed with the installer in mind for a fast & cost effective install.
 - A substantial gear tray provides excellent thermal management ensuring long component life and high lumen maintenance.
 - Choice of screwed or screwless endcaps.
 - High efficacy up to 125Lm/W.
 - Plug & play joining of long runs over 5m.
 - Tridonic LED boards & drivers (3K & 4K a standard).
 - Colour consistency 3 MacAdams.
 - L90 @ 50,000hrs B10 & CRI 90 as standard.
 - Certified IES files.
 - Designed & manufactured locally.
 - Where possible components are sourced locally.
 - The 6060 grade aluminium used in the production of these profiles is smelted and extruded in New Zealand.
- The CO2 emitted per Kg of aluminium produced is one of the lowest in the world.

CONTROL - DIM - EMERGENCY

Bluetooth 	Wireless 	Proximity 	Emergency
DALI Dimming 	DSI Dimming 	Switch Dim 	Corridor Function

CASAMBI

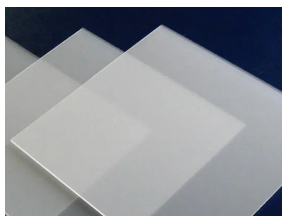
DIFFUSERS

45Deg Primary Lens
Single Asymmetric



- Geartray Lens
- 95% Transmission
- 45deg Distribution
- Centered 20Deg off vertical

Frosted
Diffuser



- 92% Transmission
- Homogeneous
- Maintains High CRI

COLOURS

Powder Coat Colours

- Dulux Protecture White (20T1274F)
- Dulux Protecture Black (20T9215F)
- Dulux Protecture Silver Pearl (Light Grey) (21T7852F)
- Custom colours to order

Cast sheet is chosen for diffusers due its greater dimensional stability. Linear lens are PMMA from Tridonic and provide touch protection for non SELV applications.

5
YEAR

LUMATECH

Linear Lighting Solutions

LUMEN/M

CRI90 p/m 4000K	150mA		200mA		250mA		300mA		350mA		400mA	
	Lm	W	Lm	W	Lm	W	Lm	W	Lm	W	Lm	W
Asymmetric Frosted	1493	12.6	1943	16.5	2392	20.7	2802	25.2	3250	29.8	3726	34.0

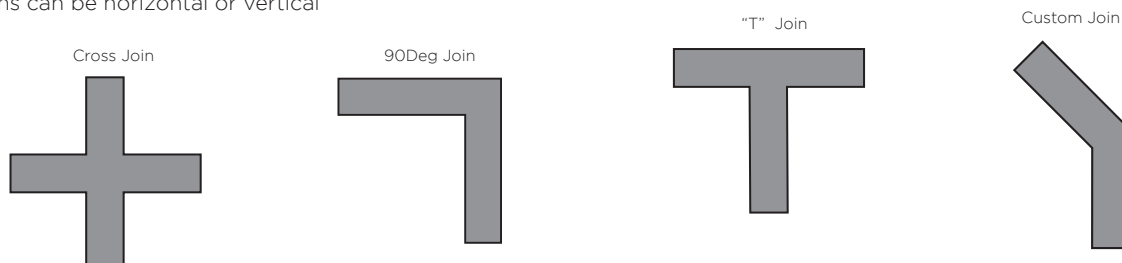
CRI80 p/m 4000K	150mA		200mA		250mA		300mA		350mA		400mA	
	Lm	W	Lm	W	Lm	W	Lm	W	Lm	W	Lm	W
Asymmetric Frosted	1761	12.6	2293	16.5	2823	20.7	3306	25.2	3835	29.8	4397	34.0

JOINS & CORNERS

Profile corners and joins are welded providing a seamless transitions and no light leakage.

Custom angled joins on request.

Joins can be horizontal or vertical



LENGTH CALCULATION

Luminaires are constructed by using combinations of geartray sizes starting at 565mm and up to 1685mm moving up in 70mm increments.

This will give a fully illuminated diffuser from end to end and joins in the profile will be positioned by Lumatech to keep uniform lengths.

High output and certain other specialist boards are only available in 280mm increments, please check with us if length is crucial.

If a specific length is required in between LED board increments available, these are achieved using blanking plates.

Endcap assemblies require a total of 15mm allowance, for recessed luminaires this becomes the cut-out dimension

ACCESSORIES & OPTIONS

- Screwed Endcaps for budget applications.
- Screwless endcaps for a seamless look.
- Wall mount brackets.