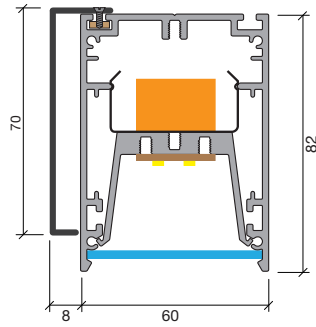
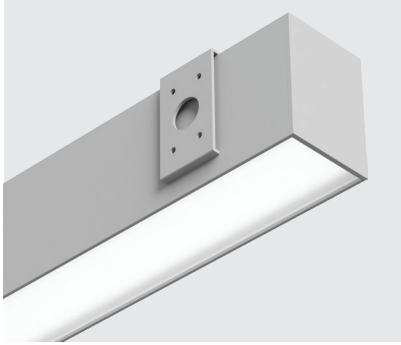


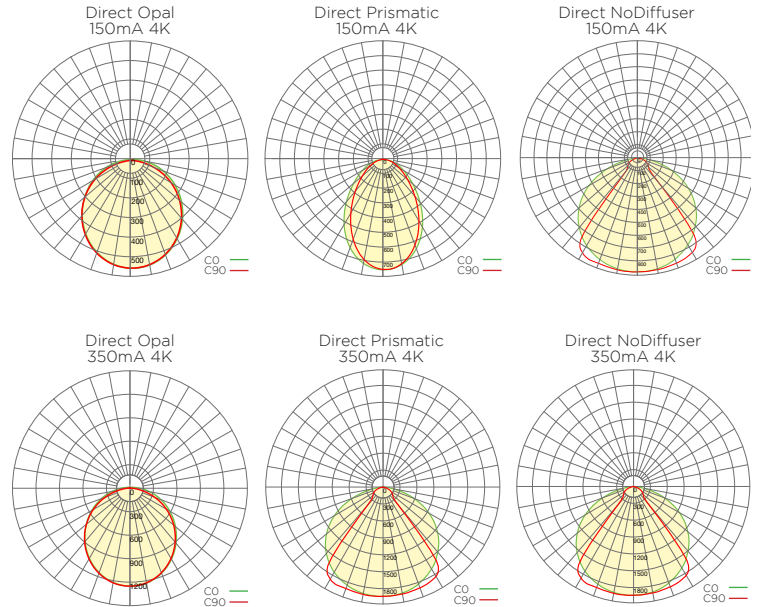
LUMATECH

Linear Lighting Solutions

LT60D Direct Wall Bracket Mount



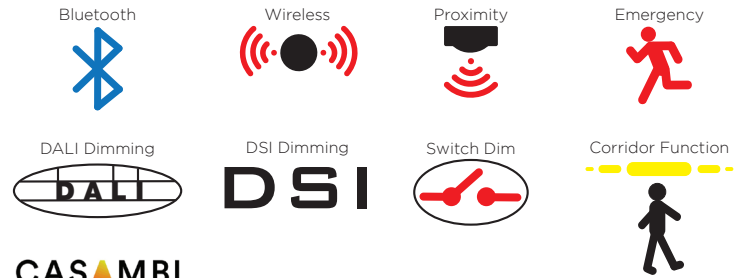
DISTRIBUTION



FEATURES

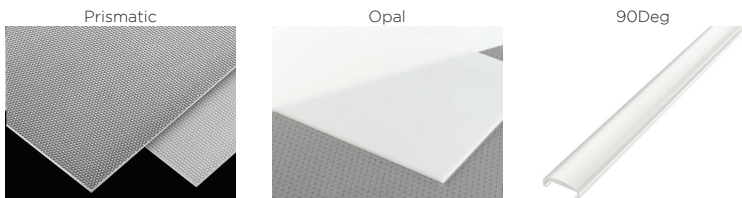
- Designed with the installer in mind for a fast & cost effective install.
 - A substantial gear tray provides excellent thermal management ensuring long component life and high lumen maintenance.
 - Choice of screwed or screwless endcaps.
 - High efficacy up to 125Lm/W.
 - Plug & play joining of long runs over 5m.
 - Tridonic LED boards & drivers (3K & 4K a standard).
 - Colour consistency 3 MacAdams.
 - L90 @ 50,000hrs B10 & CRI 90 as standard.
 - Certified IES files.
 - Designed & manufactured locally.
 - Where possible components are sourced locally.
 - The 6060 grade aluminium used in the production of these profiles is smelted and extruded in New Zealand.
- The CO2 emitted per Kg of aluminium produced is one of the lowest in the world.

CONTROL - DIM - EMERGENCY



CASAMBI

DIFFUSERS



- High Transmission
- Opalescent Appearance
- No pixellation
- Low UGR
- Soft Edge Beam for Uniformity
- High Transmission
- Homogeneous
- No pixellation
- Maintains High CRI
- High Vertical Illuminance
- Geartray Lens
- 97% Transmission
- 90deg Distribution
- Focuses Output On Diffuser
- Can Be Used Stand Alone

COLOURS

- Powder Coat Colours
- Dulux Protecture White (20T1274F)
 - Dulux Protecture Black (20T9215F)
 - Dulux Protecture Silver Pearl (Light Grey) (21T7852F)
 - Custom colours to order

Cast sheet is chosen for diffusers due its greater dimensional stability. Linear lens are PMMA from Tridonic and provide touch protection for non SELV applications.

5
YEAR

LUMATECH

Linear Lighting Solutions

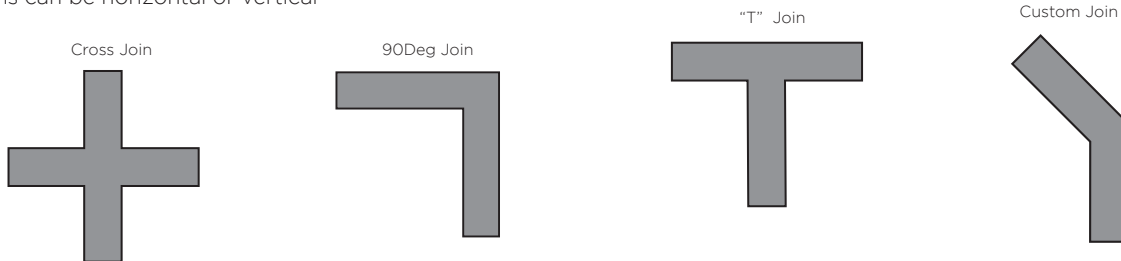
LUMEN/M

CRI90 p/m 4000K	150mA		200mA		250mA		300mA		350mA		400mA	
	Lm	W	Lm	W	Lm	W	Lm	W	Lm	W	Lm	W
Opal	1345	12.6	1929	16.5	2154	20.7	2523	25.2	2927	29.8	3356	34.0
Micro Prismatic	1246		1621		1996		2337		2712		3109	
Open	1720		2238		2756		3228		3745		4293	

CRI80 p/m 4000K	150mA		200mA		250mA		300mA		350mA		400mA	
	Lm	W	Lm	W	Lm	W	Lm	W	Lm	W	Lm	W
Opal	1587	12.6	2064	16.5	2542	20.7	2977	25.2	3454	29.8	3960	34.0
Micro Prismatic	1470		1912		2355		2758		3200		3669	
Open	2030		2641		3252		3809		4420		5066	

JOINS & CORNERS

Profile corners and joins are welded providing a seamless transitions and no light leakage.
 Custom angled joins on request.
 Joins can be horizontal or vertical



LENGTH CALCULATION

Luminaires are constructed by using combinations of geartray sizes starting at 565mm and up to 1685mm moving up in 70mm increments.
 This will give a fully illuminated diffuser from end to end and joins in the profile will be positioned by Lumatech to keep uniform lengths.
 High output and certain other specialist boards are only available in 280mm increments, please check with us if length is crucial.
 If a specific length is required in between LED board increments available, these are achieved using blanking plates.
 Endcap assemblies require a total of 15mm allowance, for recessed luminaires this becomes the cut-out dimension

ACCESSORIES & OPTIONS

- Screwed Endcaps for budget applications.
- Screwless endcaps for a seamless look.
- Wall mount brackets.